

HG High-Expansion Foam Generators

Description

SKUM HG High-Expansion Foam Generators are designed for use with SKUM HOTFOAM systems.

Application

SKUM HG High-Expansion Foam Generators are intended for use within Inside Air applications for the protection of enclosed spaces. They can be ideal for applications such as:

- Warehouses
- Flammable liquid stores
- Production facilities
- Tunnels
- Marine engine and pump rooms

Features

SKUM HG High-Expansion Foam Generators offer the following features:

- Stainless steel body and bronze nozzle
- Low weight
- Easy to install
- Large area coverage
- Suitable for indoor and outdoor use

Listings and Approvals

SKUM High-Expansion Foam Generators are listed, qualified under, or meet the requirements of the following specifications and standards:

- VROM (NL)



Ordering Information

When ordering SKUM HG High-Expansion Foam Generators, specify the part number and size. Part numbers and descriptions are as follows:

Part Number	Description
106101112	HG-15
106102236	HG-25
106101147	HG-15 Generator Grooved Connection 1.25 in.
106102250	HG-25 Generator Grooved Connection 1.25 in.
106102807	HG-15/25 Flange Stainless Steel
106102870	HG-15/25 Flange Steel
106102821	HG-15/25 Flange 1 in. BSP
106102851	HG-15/25 Grooved Adapter 1.25 in.
106102898	Mounting details 15/25 Flange

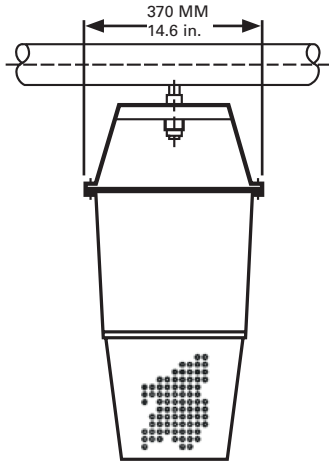


HG-15

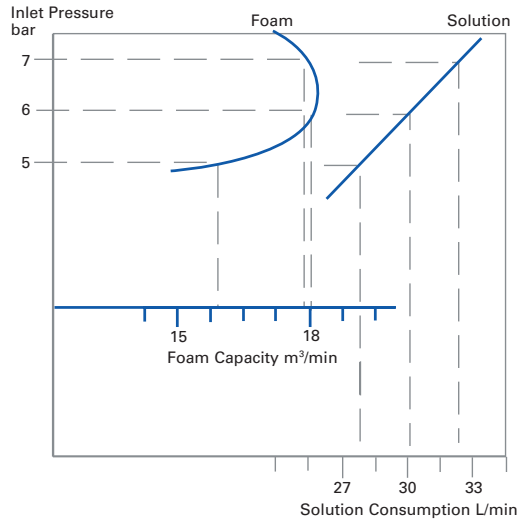
■ Nominal rating of HG-15 High-Expansion Foam Generators at 6 bar (87 psi) inlet pressure is as follows:

- Solution Consumption: 30 L/min (8 gal/min)
- Foam Capacity: 18 m³/min (636 ft³/min)
- Expansion Ratio: 600:1

- Material is stainless steel
- Weight is 5 kg (11 lbs)



1 bar = 0.1 MPa = 14.5 psi

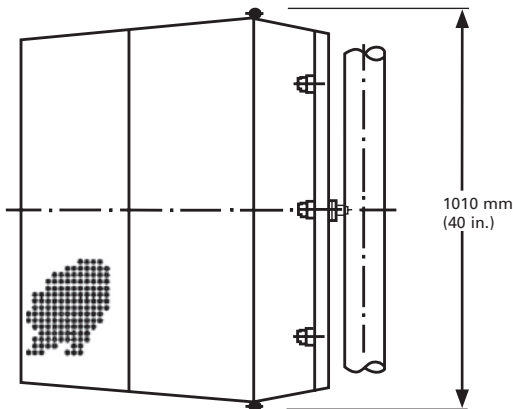


HG-25

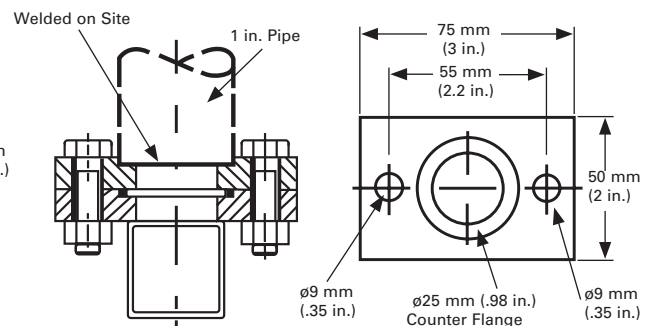
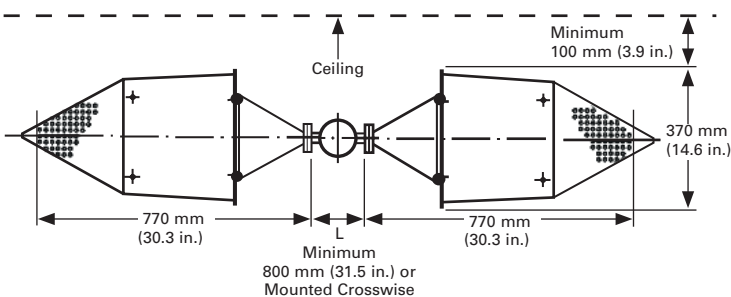
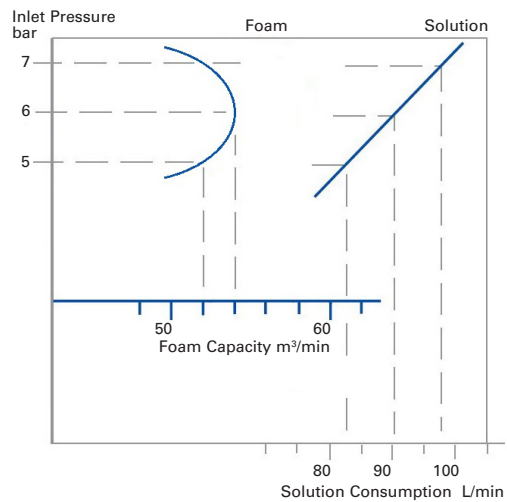
■ Nominal rating of HG-25 High-Expansion Foam Generators at 6 bar (87 psi) inlet pressure is as follows:

- Solution Consumption: 90 L/min (24 gal/min)
- Foam Capacity: 54 m³/min (1907 ft³/min)
- Expansion Ratio: 600:1

- Material is stainless steel
- Weight is 10 kg (22 lbs)



1 bar = 0.1 MPa = 14.5 psi



Note: The converted values in this document are provided for dimensional reference only and do not reflect an actual measurement.

SKUM, HOTFOAM, and the product names listed in this material are marks and/or registered marks. Unauthorized use is strictly prohibited.