

## Bladder Tank - Horizontal MTB-H

### General Description

A bladder tank is a steel vessel containing a rubber bladder which in turn contains the foam concentrate. A bladder tank does not have any moving parts and requires a minimum of maintenance.

### Application Description

The bladder tank is used to induce foam concentrate into water systems with variable flows and/or pressures.

The bladder tank forms part of a foam proportioning system used in conjunction with a SKUM tank proportioner.

The system is ideal for upgrading a water sprinkler system to a foam / water sprinkler system. Constant proportioning, irrespective of flow, is achieved by a pressure balance between the foam liquid in the bladder and the water in the system flowing over the proportioner.

### Product Features

- Tank manufactured to PED (CE marked) standard
- Available in volumes up to 25,000 litres
- Can be used with standard and wide range proportioners



### Connections

- Foam / water inlet: flanged according to DIN PN16 or ANSI 150 lbs

### Optional Information - Please Specify

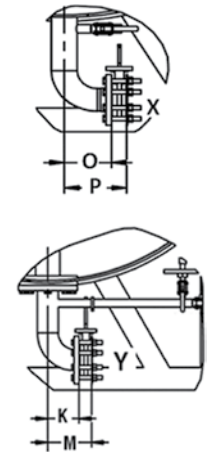
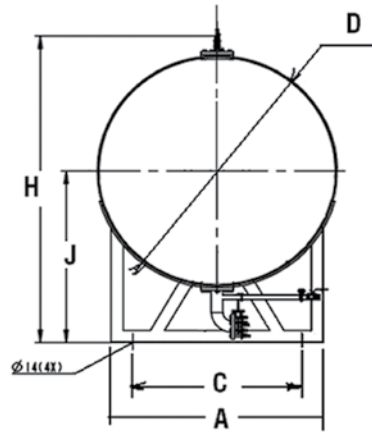
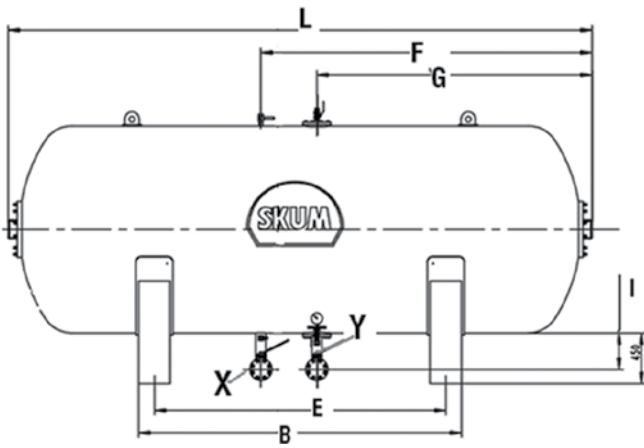
- Valve and level gauge
- Level indicator
- Fully pre-piped version complete with proportioners

### Order Information - Please Specify

1. Part number
2. Tank type
3. Tank size

### Specifications

Design Pressure	12.1 bar / 175 psi
Design Standard	PED (CE marked)
Material: Pressure Vessel	Carbon steel
Material: Bladder	Butyl rubber
Material: Internals	Stainless steel
Surface Treatment:	Outside - primer and red epoxy
Scope of supply:	Water / foam inlet and vent plugged
	Stainless steel valves at foam filling connection and vent
	Butterfly valves 2" or 3" (Wafer types) on Foam and Water Ports
Scope of supply: Water drain valve	1" Connection BSP female
Scope of supply: Water / Air vent valve	1" Connection BSP female
Scope of supply: Foam / Air vent valve	1" Connection BSP female
Scope of supply: Foam filling / drain valve	1" Connection BSP female



For dimensions please see table below

## Specifications

MTB-H reference	Model (Ltr)	Dimensions (mm)															Connection		Weight (Kg)
		A	B	C	D	E	F	G	H	I	J	K	L	M	O	P	Water (X)	Foam (Y)	
127908113	400	710	410	500	800	330	726	488	1343	323	850	91	1054	141	119	169	2"	2"	280
127908210	600	710	730	500	800	650	863	563	1343	323	850	91	1554	141	119	169	2"	2"	340
127911113	800	710	1000	500	800	880	988	688	1343	323	850	91	1904	141	119	169	2"	2"	400
127911212	1000	960	610	700	1100	450	910	565	1643	323	1000	91	1416	141	119	169	2"	2"	480
127911310	1200	960	710	700	1100	590	915	615	1643	323	1000	91	1616	141	119	169	2"	2"	510
127911409	1500	960	940	700	1100	780	1015	715	1643	323	1000	91	1916	141	119	169	2"	2"	590
127911508	2000	960	1230	700	1100	1070	1215	915	1643	323	1000	91	2416	141	119	169	2"	2"	700
127914111	2500	1240	910	1000	1400	750	1166	766	2008	324	1150	133	2022	186	162	215	3"	3"	960
127914214	3000	1240	1240	1000	1400	1080	1391	891	2008	324	1150	133	2372	186	162	215	3"	3"	1140
127914312	3500	1240	1330	1000	1400	1170	1491	991	2008	324	1150	133	2672	186	162	215	3"	3"	1250
127914408	4000	1240	1590	1000	1400	1430	1641	1141	2008	324	1150	133	3072	186	162	215	3"	3"	1350
127914509	4500	1240	1850	1000	1400	1630	1741	1241	2008	324	1150	133	3372	186	162	215	3"	3"	1550

MTB-H reference	Model (Ltr)	Dimensions (mm)															Connection		Weight (Kg)
		A	B	C	D	E	F	G	H	I	J	K	L	M	O	P	Water (X)	Foam (Y)	
127914613	5000	1240	2040	1000	1400	1820	1841	1341	2008	324	1150	133	3672	186	162	215	3"	3"	1620
127914710	5500	1240	2300	1000	1400	2080	1991	1491	2008	324	1150	133	4072	186	162	215	3"	3"	1730
127914814	6000	1240	2490	1000	1400	2270	2734	2234	2008	324	1150	133	4468	186	162	215	3"	3"	1850
127914911	6500	1240	2820	1000	1400	2600	2834	2334	2008	324	1150	133	4968	186	162	215	3"	3"	2000
127918113	7000	1640	1670	1300	1850	1450	2104	1604	2458	324	1375	133	3208	186	162	215	3"	3"	2300
127918210	7500	1640	1650	1300	1850	1430	2204	1704	2458	324	1375	133	3408	186	162	215	3"	3"	2400
127918308	8000	1640	1780	1300	1850	1560	2304	1804	2458	324	1375	133	3008	186	162	215	3"	3"	2480
127918409	8500	1640	1870	1300	1850	1650	2379	1879	2458	324	1375	133	3758	186	162	215	3"	3"	2550
127918511	9000	1640	2010	1300	1850	1790	2479	1979	2458	324	1375	133	3958	186	162	215	3"	3"	2650
127918613	9500	1640	2200	1300	1850	1920	2579	2079	2458	324	1375	133	4158	186	162	215	3"	3"	2900

MTB-H reference	Model (Ltr)	Dimensions (mm)															Connection		Weight (Kg)
		A	B	C	D	E	F	G	H	I	J	K	L	M	O	P	Water (X)	Foam (Y)	
127918712	10000	1640	2330	1300	1850	2050	2679	2179	2458	324	1375	133	4358	186	162	215	3"	3"	3000
127918811	11000	1640	2550	1300	1850	2270	2854	2354	2458	324	1375	133	4708	186	162	215	3"	3"	3150
127918908	12000	1640	2880	1300	1850	2600	2954	2454	2458	324	1375	133	5208	186	162	215	3"	3"	3400
127919077	15000	<b>Available on request</b>															3"	3"	
127919080	17000																3"	3"	
127919083	20000																3"	3"	
127919086	25000																3"	3"	