

Bladder Tank Proportioner TP and TPW

General Description

Skum TP and TPW proportioners guarantee accurate foam proportioning over a wide range of flow and pressure conditions. Manufactured in bronze, they are suitable for maintenance-free installation in a wide range of industrial and marine environments.

Application Description

The TP proportioner is used in conjunction with bladder tanks to supply accurate foam delivery to fire monitors and deluge systems. The TP / TPW is used in combination with the SKUM MTB bladder tank.

Product Features

- Easily adjustable foam regulating nozzle
- Accurate proportioning over the range
- Corrosion resistant materials
- Maintenance free compact design

Installation

- Water: Wafer mounted between flanges (see table)
- Foam inlet: Flanged to fit DIN PN16 or ANSI 150 lbs or threaded BSP

Listings and Approvals

- Det Norske Veritas (DNV)
- Factory Mutual approval for: TP-100/50; 150/50; 200/80
- Russian Maritime Register of Shipping



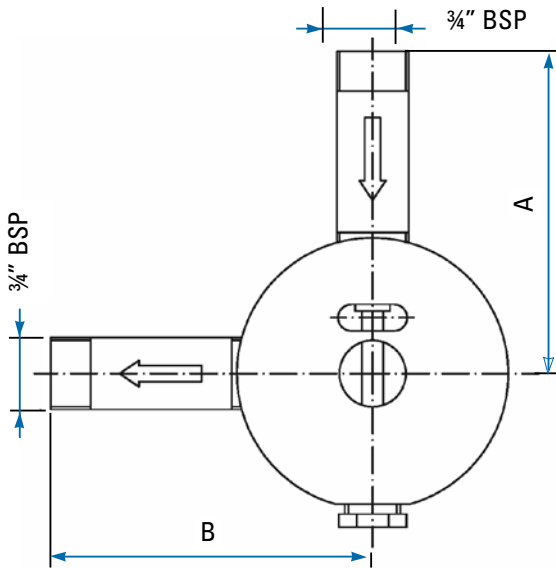
TP-100/50

Order Information - Please Specify

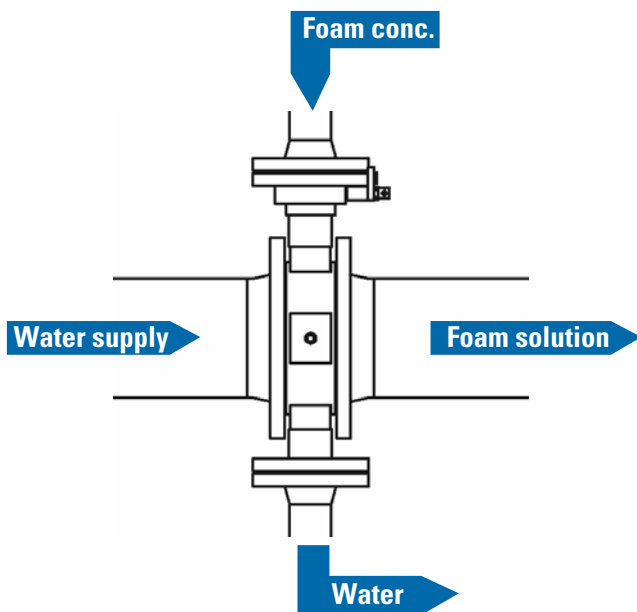
1. Size
2. Connection DIN or ANSI

<u>Part No.</u>	<u>Description</u>
■ 124010102	TP-100/50 DIN/ANSI
■ 124015107	TP-150/50 DIN/ANSI
■ 124020103	TP-200/80 DIN
■ 124020205	TP-200/80 ANSI
■ 124025106	TP-250/80 DIN
■ 124025203	TP-250/80 ANSI
■ 124210104	TPW-100/50 DIN/ANSI
■ 124215115	TPW-150/50 DIN/ANSI
■ 124220109	TPW-200/80 DIN
■ 124220204	TPW-200/80 ANSI
■ 124225104	TPW-250/80 DIN
■ 124225208	TPW-250/80 ANSI

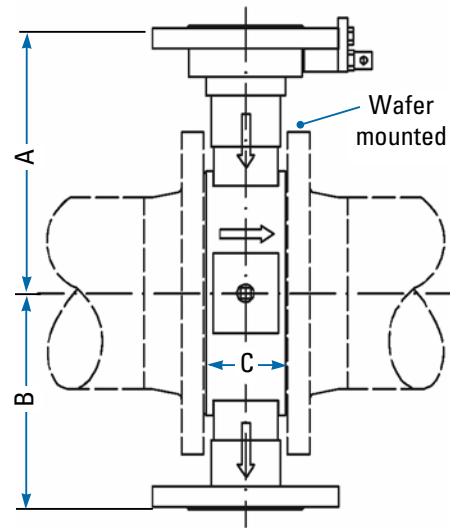
TP - 50 / TP - 80



TP/TPW Flow



TP / TPW - 100, 150, 200, 250



Dimensions TP and TPW

TP	TPW	A mm	B mm	C mm
■ TP-50/20		125	125	37
■ TP-80/20		140	140	37
■ TP-100/50	TPW-100/50	209	173	70
■ TP-150/50	TPW-150/50	241	198	70
■ TP-200/80	TPW-200/80	291	243	82
■ TP-250/80	TPW-250/80	323	276	82

Performance Data TP Proportioners

Type	Connection		Capacity Min.		Capacity Max.		Weight	
	Foam*	Water	l/min	USGPM	l/min	USGPM	kg	lbs
TP-50/20	¾" BSP	50 / 2"	125	33	800	211	5	11
TP-80/20	¾" BSP	80 / 3"	300	79	2,000	528	9	20
TP-100/50	50 / 2"	100 / 4"	770	203	4,900	1,295	20	44
TP-150/50	50 / 2"	150 / 6"	1,500	396	9,800	2,589	25	55
TP-200/80	80 / 3"	200 / 8"	2,875	760	21,100	5,575	43	95
TP-250/80	80 / 3"	250 / 10"	5,100	1,347	33,100	8,745	51	112

*at 1.5 bar pressure drop

Performance Data TPW Proportioners

Type	Connection		Capacity Min.		Capacity Max.*		Weight	
	Foam/Water	Water	l/min	USGPM	l/min	USGPM	kg	lbs
TPW-100/50	50 / 2"	100 / 4"	75	20	2,500	661	20	44
TPW-150/50	50 / 2"	150 / 6"	100	26	5,600	1,480	26	57
TPW-200/80	80 / 3"	200 / 8"	125	33	10,600	2,801	44	97
TPW-250/80	80 / 3"	250 / 10"	150	40	16,100	4,254	52	114

*at 1.5 bar pressure drop