

## MLR Low-Expansion Foam Branchpipe

### Description

The SKUM MLR low-expansion foam branchpipe is a portable hand-held foam applicator.

### Application

The MLR low-expansion foam branchpipe is designed for coverage of flammable liquid spills, or for fighting small fires.

### Features

The MLR low-expansion foam branchpipe has the following features:

- Stainless steel body with a brass nozzle
- Low weight
- Easy to use
- Large area coverage
- Suitable for indoor and outdoor use
- Capacity of up to 555 L/min
- MLR-40 SA foam induction capacity of up to 6%
- MLR-40 SA includes a pick-up tube

### Listings and Approvals

The MLR low-expansion foam branchpipe is approved, listed, qualified under, or meets the requirements of the following specifications and standards:

- Bureau Veritas (BV)
- R.I.N.A.
- Russian Maritime Register of Shipping (RMRS)
- Det Norske Veritas DNV

### Connections

- 1 ½ in. female screw-threaded BSP connection

### Optional Components

- Hose coupling to international standards



### Ordering Information

When ordering, specify the following information:

- Part number
- Size

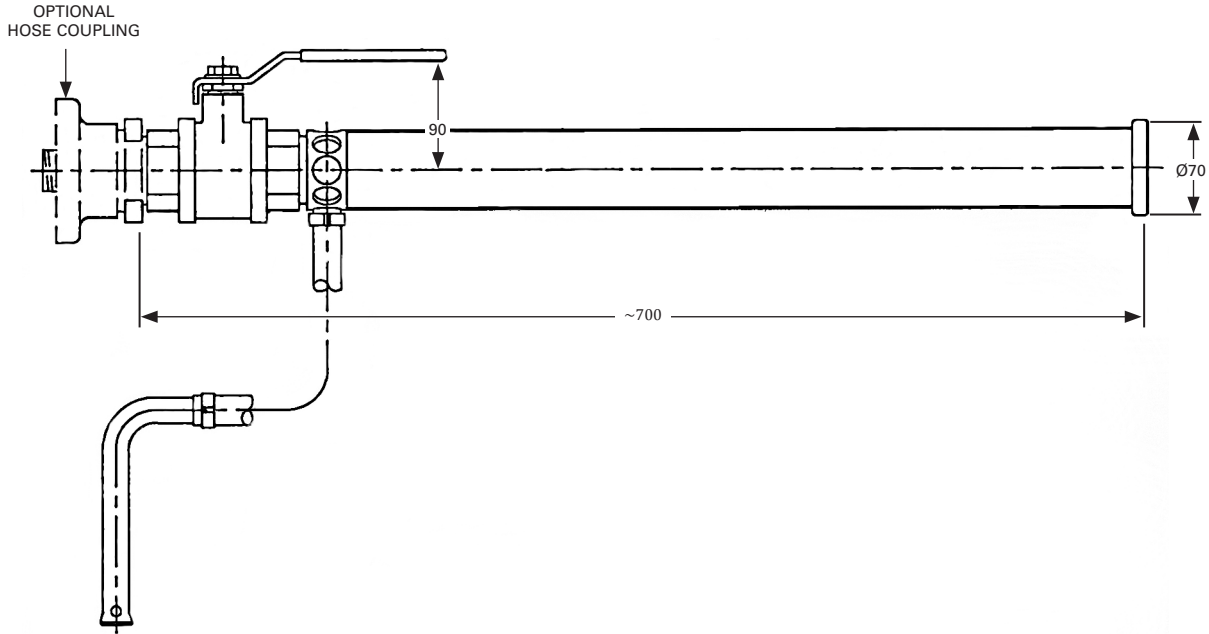
### Technical Data

The following table shows the technical data for MLR-40 A and MLR-40 SA low-expansion foam branchpipes:

<b>Material</b>	Pipe	Stainless Steel
	Casing	Brass Nozzle
	Valve	Nickel-Plated Brass
<b>Connection</b>		1 ½ in. BSP female thread
<b>Weight</b>	MLR-40 A	3.2 kg (7 lb)
	MLR-40 SA	4.0 kg (9 lb)

**Note:** The MLR-40 SA foam concentrate induction is a maximum of 6%.

## Dimensions



## Performance Data

The following table shows the performance data for the MLR-40 A and MLR-40 SA low-expansion foam branchpipes:

Part Number	Type	Water Capacity L/min	Inlet Pressure bar	Foam Mixing %	Reaction Force N	Approximate Range of Jet (m)
101304116	MLR-40 A	200	5		104	22
101304214	MLR-40 A	215	3		87	21
101304242	MLR-40 A	215	6		123	24
101304412	MLR-40 A	400	3		161	24
101304426	MLR-40 A	400	5		208	26
101304440	MLR-40 A	400	6		228	28
101404119	MLR-40 SA	200	5	3	104	22
101404140	MLR-40 SA	200	5	6	104	23
101404221	MLR-40 SA	215	3	3	87	21
101404263	MLR-40 SA	215	3	6	87	21
101404242	MLR-40 SA	215	6	3	123	24
101404277	MLR-40 SA	215	6	6	123	24
101404423	MLR-40 SA	400	5	3	208	26
101404444	MLR-40 SA	400	5	6	208	26
101404465	MLR-40 SA	400	6	3	208	28
101404479	MLR-40 SA	400	6	6	208	28

- Notes:**
1. The MLR-40 A and MLR-40 SA foam expansion ratio is up to 1:15
  2. Other capacities are available on request
  3. 1 bar = 0.1 MPa = 14.5 psi

**Note:** The converted values in this document are provided for dimensional reference only and do not reflect an actual measurement. SKUM and the product names listed in this material are marks and/or registered marks. Unauthorized use is strictly prohibited.