

## Bladder Tank - Horizontal MTB-H

### General Description

A bladder tank is a steel vessel containing a rubber bladder which in turn contains the foam concentrate. A bladder tank does not have any moving parts and requires a minimum of maintenance.

### Application

The bladder tank is used to induce foam concentrate into water systems with variable flows and/or pressures.

The bladder tank forms part of a foam proportioning system used in conjunction with a SKUM tank proportioner.

The system is ideal for upgrading a water sprinkler system to a foam / water sprinkler system. Constant proportioning, irrespective of flow, is achieved by a pressure balance between the foam liquid in the bladder and the water in the system flowing over the proportioner.

### Features

- Tank manufactured to PED (CE marked) standard
- Available in volumes up to 25,000 L
- Can be used with standard and wide range proportioners

### Specifications

Design Pressure	12.1 bar (175 psi)
Design Standard	PED (CE marked)
Material: Pressure Vessel	Carbon steel
Material: Bladder	Butyl rubber
Material: Internals	Stainless steel
Surface Treatment	Outside - primer and red epoxy
Scope of supply	Water / foam inlet and vent plugged
	Stainless steel valves at foam filling connection and vent
	Butterfly valves 2 in. or 3 in. (Wafer types) on Foam and Water Ports
Scope of supply: Water drain valve	1 in. Connection BSP female
Scope of supply: Water / Air vent valve	1 in. Connection BSP female
Scope of supply: Foam / Air vent valve	1 in. Connection BSP female
Scope of supply: Foam filling / drain valve	1 in. Connection BSP female



### Connections

Foam / water inlet: flanged according to DIN PN16 or ANSI 150 lb.

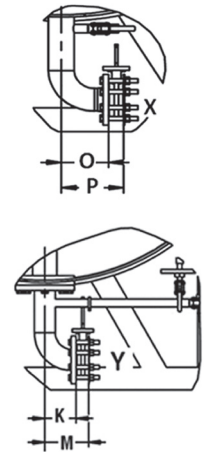
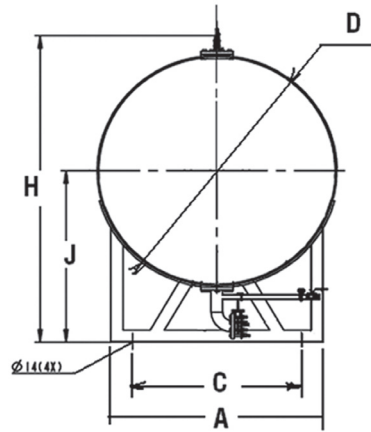
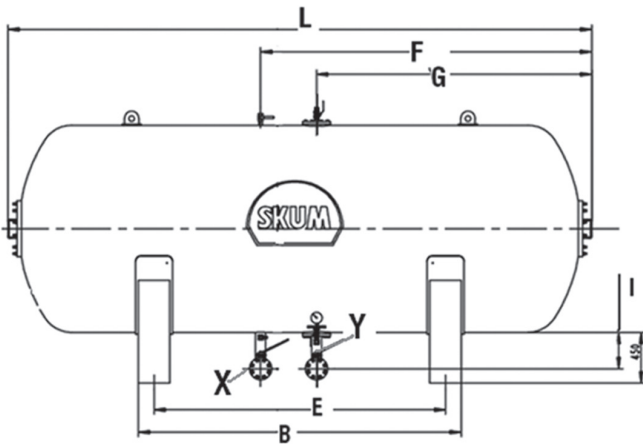
### Optional Information

- Valve and level gauge
- Level indicator
- Fully pre-piped version complete with proportioners

### Ordering Information

Specify the following information when ordering:

- Part number
- Tank type
- Tank size



Note: For dimensions please see table below.

## Specifications

MTB-H reference	Model (L)	Dimensions (mm)														Connection		Weight kg	
		A	B	C	D	E	F	G	H	I	J	K	L	M	O	P	Water (X)		Foam (Y)
127908113	400	710	410	500	800	330	726	488	1,343	323	850	91	1,054	141	119	169	2 in.	2 in.	280
127908210	600	710	730	500	800	650	863	563	1,343	323	850	91	1,554	141	119	169	2 in.	2 in.	340
127911113	800	710	1,000	500	800	880	988	688	1,343	323	850	91	1,904	141	119	169	2 in.	2 in.	400
127911212	1,000	960	610	700	1,100	450	910	565	1,643	323	1,000	91	1,416	141	119	169	2 in.	2 in.	480
127911310	1,200	960	710	700	1,100	590	915	615	1,643	323	1,000	91	1,616	141	119	169	2 in.	2 in.	510
127911409	1,500	960	940	700	1,100	780	1,015	715	1,643	323	1,000	91	1,916	141	119	169	2 in.	2 in.	590
127911508	2,000	960	1,230	700	1,100	1,070	1,215	915	1,643	323	1,000	91	2,416	141	119	169	2 in.	2 in.	700
127914111	2,500	1,240	910	1,000	1,400	750	1,166	766	2,008	324	1,150	133	2,022	186	162	215	3 in.	3 in.	960
127914214	3,000	1,240	1,240	1,000	1,400	1,080	1,391	891	2,008	324	1,150	133	2,372	186	162	215	3 in.	3 in.	1,140
127914312	3,500	1,240	1,330	1,000	1,400	1,170	1,491	991	2,008	324	1,150	133	2,672	186	162	215	3 in.	3 in.	1,250
127914408	4,000	1,240	1,590	1,000	1,400	1,430	1,641	1,141	2,008	324	1,150	133	3,072	186	162	215	3 in.	3 in.	1,350
127914509	4,500	1,240	1,850	1,000	1,400	1,630	1,741	1,241	2,008	324	1,150	133	3,372	186	162	215	3 in.	3 in.	1,550

MTB-H reference	Model (L)	Dimensions (mm)														Connection		Weight kg	
		A	B	C	D	E	F	G	H	I	J	K	L	M	O	P	Water (X)		Foam (Y)
127914613	5,000	1,240	2,040	1,000	1,400	1,820	1,841	1,341	2,008	324	1,150	133	3,672	186	162	215	3 in.	3 in.	1,620
127914710	5,500	1,240	2,300	1,000	1,400	2,080	1,991	1,491	2,008	324	1,150	133	4,072	186	162	215	3 in.	3 in.	1,730
127914814	6,000	1,240	2,490	1,000	1,400	2,270	2,734	2,234	2,008	324	1,150	133	4,468	186	162	215	3 in.	3 in.	1,850
127914911	6,500	1,240	2,820	1,000	1,400	2,600	2,834	2,334	2,008	324	1,150	133	4,968	186	162	215	3 in.	3 in.	2,000
127918113	7,000	1,640	1,670	1,300	1,850	1,450	2,104	1,604	2,458	324	1,375	133	3,208	186	162	215	3 in.	3 in.	2,300
127918210	7,500	1,640	1,650	1,300	1,850	1,430	2,204	1,704	2,458	324	1,375	133	3,408	186	162	215	3 in.	3 in.	2,400
127918308	8,000	1,640	1,780	1,300	1,850	1,560	2,304	1,804	2,458	324	1,375	133	3,008	186	162	215	3 in.	3 in.	2,480
127918409	8,500	1,640	1,870	1,300	1,850	1,650	2,379	1,879	2,458	324	1,375	133	3,758	186	162	215	3 in.	3 in.	2,550
127918511	9,000	1,640	2,010	1,300	1,850	1,790	2,479	1,979	2,458	324	1,375	133	3,958	186	162	215	3 in.	3 in.	2,650
127918613	9,500	1,640	2,200	1,300	1,850	1,920	2,579	2,079	2,458	324	1,375	133	4,158	186	162	215	3 in.	3 in.	2,900

MTB-H reference	Model (L)	Dimensions (mm)														Connection		Weight kg	
		A	B	C	D	E	F	G	H	I	J	K	L	M	O	P	Water (X)		Foam (Y)
127918712	10,000	1,640	2,330	1,300	1,850	2,050	2,679	2,179	2,458	324	1,375	133	4,358	186	162	215	3 in.	3 in.	3,000
127918811	11,000	1,640	2,550	1,300	1,850	2,270	2,854	2,354	2,458	324	1,375	133	4,708	186	162	215	3 in.	3 in.	3,150
127918908	12,000	1,640	2,880	1,300	1,850	2,600	2,954	2,454	2,458	324	1,375	133	5,208	186	162	215	3 in.	3 in.	3,400
127919077	15,000	Available on request														3 in.	3 in.		
127919080	17,000															3 in.	3 in.		
127919083	20,000															3 in.	3 in.		
127919086	25,000															3 in.	3 in.		

Note: The converted values in this document are provided for dimensional reference only and do not reflect an actual measurement.

SKUM and the product names listed in this material are marks and/or registered marks. Unauthorized use is strictly prohibited.