

SKUM Water Actuated Foam Valve WAFV-MK2

Description

The SKUM Water Actuated Foam Valve (WAFV) consists of a ball valve and an approved, corrosion-resistant actuator. The valve operates by water pressure only, from the mains water pressure supply on a bladder tank system, or from the water motor alarm port in a fire sprinkler system.

The WAFV valve body is made from 316 stainless steel, and the actuator has an anodized aluminum housing.

The actuator will open the valve when supplied with water pressure of 2 bar to 16 bar (29 psi to 232 psi) and must be manually reset. The actuator is fitted with a manual override feature.

Application

The WAFV is primarily used in bladder tank foam systems and is installed in the foam concentrate line just before the proportioner. When the foam system is operated, the increased water pressure opens the WAFV and discharges foam concentrate to the proportioner. WAFV valves are also used in foam pump balanced pressure proportioning systems, or in non-pressurised tank systems where the proportioner is located at a lower level than the tank.

In such applications, the WAFV prevents foam leakage or foam siphoning into the water line. A WAFV may be used with all types of foam concentrates.

Listings and Approvals

- PED
- ATEX (zone 1)
- SIL 3

Connections

- Foam: Screw threaded BSP or weld end (WE)
- Water Actuating Line: Screw threaded BSP 1/4 in., marked 2

Resetting WAFV

The actuator must be manually reset. Use the following guidelines to reset the actuator:

- Check that the resetting lever is attached to the actuator and can be easily mounted on the operating shaft.
- Check that the pressure from the water actuating line is relieved.
- Manually operate the lever in order to close the valve.



WAFV-MK2 40 WE
Pre-Piped Bladder Tank Foam System including WAFV

Features

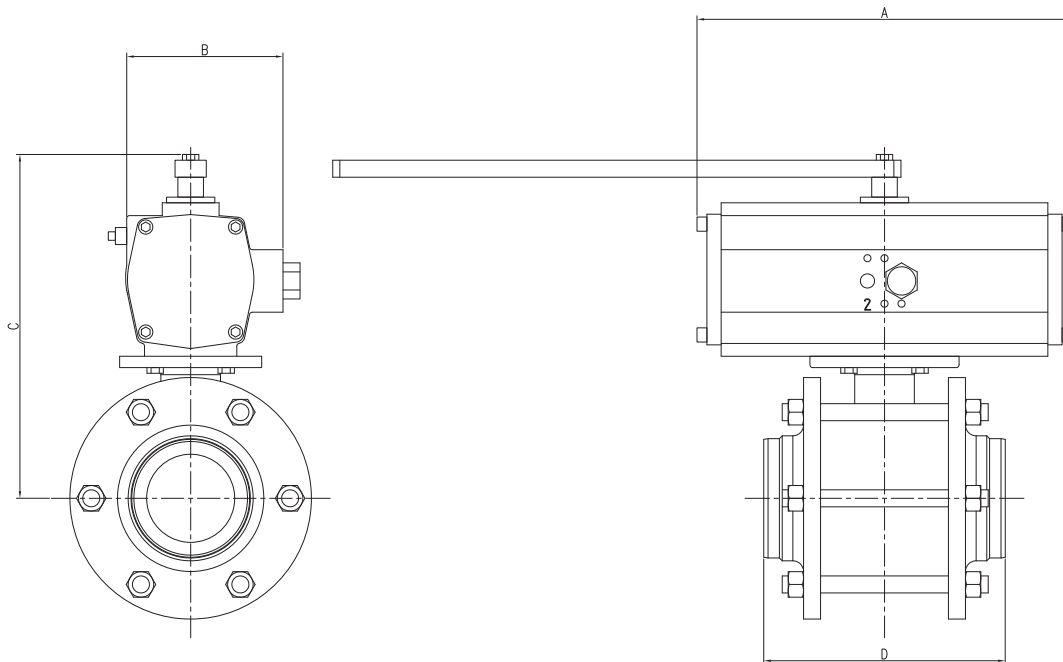
- Stainless steel foam concentrate ball valve
- Standard part in a SKUM pre-piped bladder tank system
- Minimum actuator opening pressure is 2 bar (29 psi)
- Maximum actuator operating pressure is 12.1 bar (175 psi)
- If actuation pressure exceeds 12.1 bar (175 psi), it is recommended that a Pressure Reducing Valve (PRV), PN1327-006, be installed in the actuation line
- Maximum water or foam pressure through the valve is 12.1 bar (175 psi)
- Working temperatures are -30°C to +100°C

Ordering Information

Part Number	Description
128002123	WAFV MK2 DN 20 WE
128002130	WAFV MK2 DN 20 BSP
128004290	WAFV MK2 DN 40 WE
128004297	WAFV MK2 DN 40 BSP
128005316	WAFV MK2 DN 50 WE
128005323	WAFV MK2 DN 50 BSP
128008404	WAFV MK2 DN 80 WE
1327-006	PRV 1/4 in. 1 bar to 10 bar (14.5 psi to 145 psi) adjustable

Performance Data

WAFV MK2 Valve Size	Connection Type		Dimensions				Weight		Materials							
	Actuator	Valve		A	B	C	D	kg	(lb)	Valve	Actuator					
mm		(in.)	mm	(in.)	mm	(in.)	mm					(in.)				
WAFV-20	1/4 in. BSPT Female Thread	WE	20	(3/4)	145	(5.71)	76	(2.99)	141	(5.54)	90	(3.54)	3.5	(7.7)	Stainless Steel	Aluminum
		BSP Female Thread	20	(3/4)	145	(5.71)	76	(2.99)	141	(5.54)	80	(3.15)				
WAFV-40	1/4 in. BSPT Female Thread	WE	40	(1 1/2)	158	(6.22)	91	(3.58)	189	(7.42)	125	(4.92)	5	(11)	Stainless Steel	Aluminum
		BSP Female Thread	40	(1 1/2)	158	(6.22)	91	(3.58)	189	(7.42)	120	(4.72)				
WAFV-50	1/4 in. BSPT Female Thread	WE	50	(2)	177	(6.97)	111	(4.37)	220	(8.66)	150	(5.91)	6.3	(13.9)	Stainless Steel	Aluminum
		BSP Female Thread	50	(2)	177	(6.97)	111	(4.37)	220	(8.66)	140	(5.51)				
WAFV-80	1/4 in. BSPT Female Thread	WE	80	(3)	196	(7.72)	122	(4.80)	264	(10.41)	220	(8.66)	20.8	(45.9)	Stainless Steel	Aluminum
		BSP Female Thread	80	(3)	196	(7.72)	122	(4.80)	264	(10.41)	205	(8.07)				



Note: For dimensions A, B, C, and D, see the Performance Data Table.

Note: The converted values in this document are provided for dimensional reference only and do not reflect an actual measurement. SKUM and the product names listed in this material are marks and/or registered marks. Unauthorized use is strictly prohibited.